

HUAHENG



HUAHENG



智能制造

HUAHENG

22

1588

0516-66882288

0512-87880705

0516-66882299

http://www.hgaheng.com

COMPANY

ABOUT US 关于我们



2008

500

6600

30000

190

80

40%



\$" " *



! " " "



% " " " "



+ " "

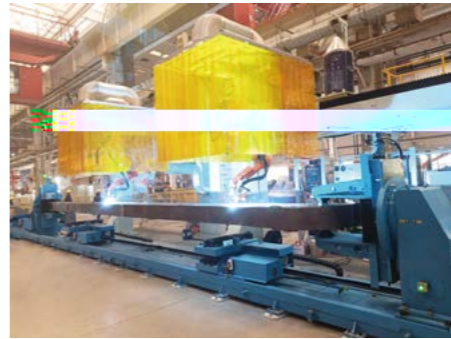




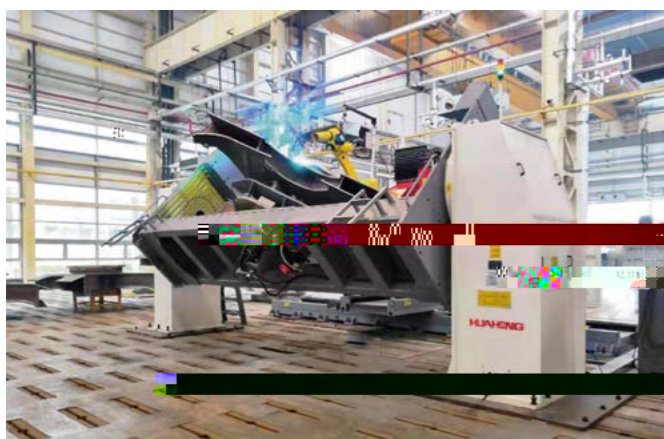
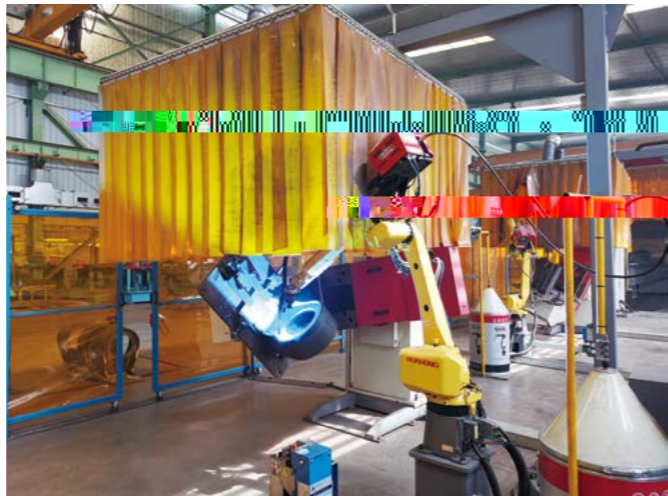
资

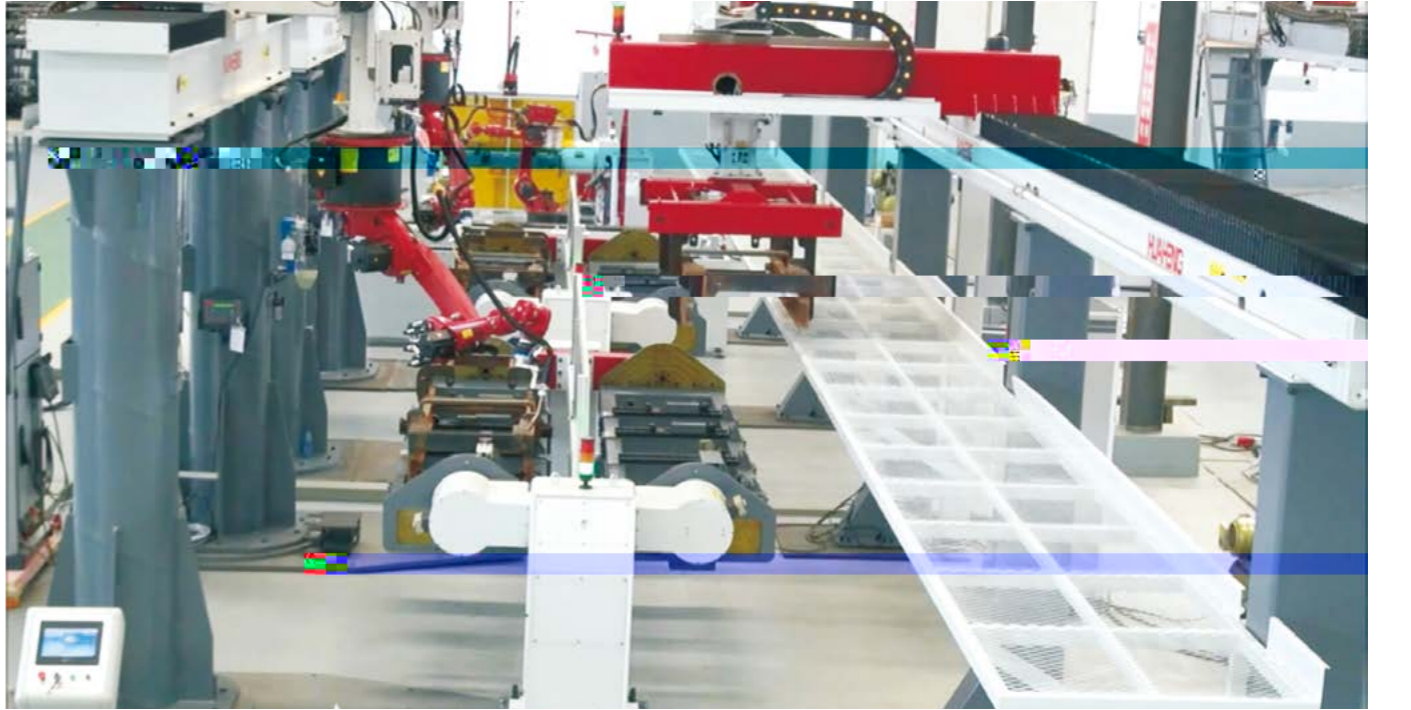
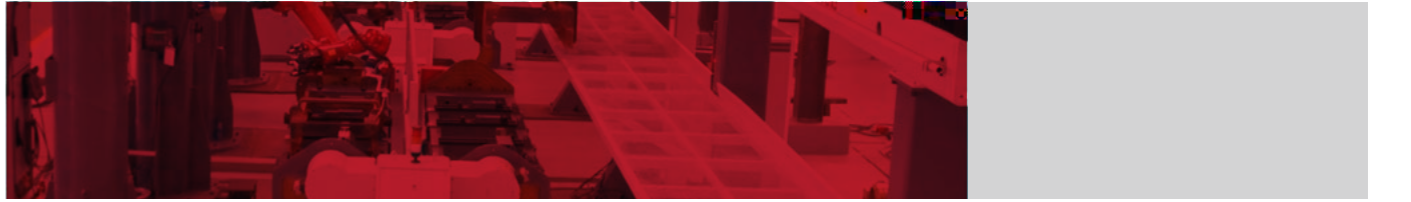


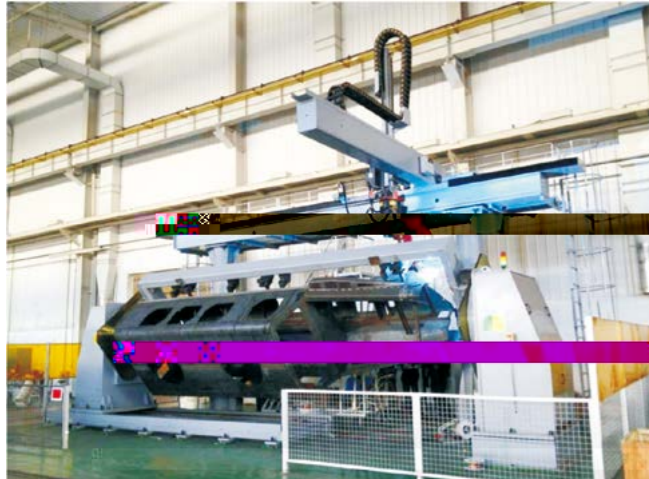
INTELLIGENT MANUFACTURING





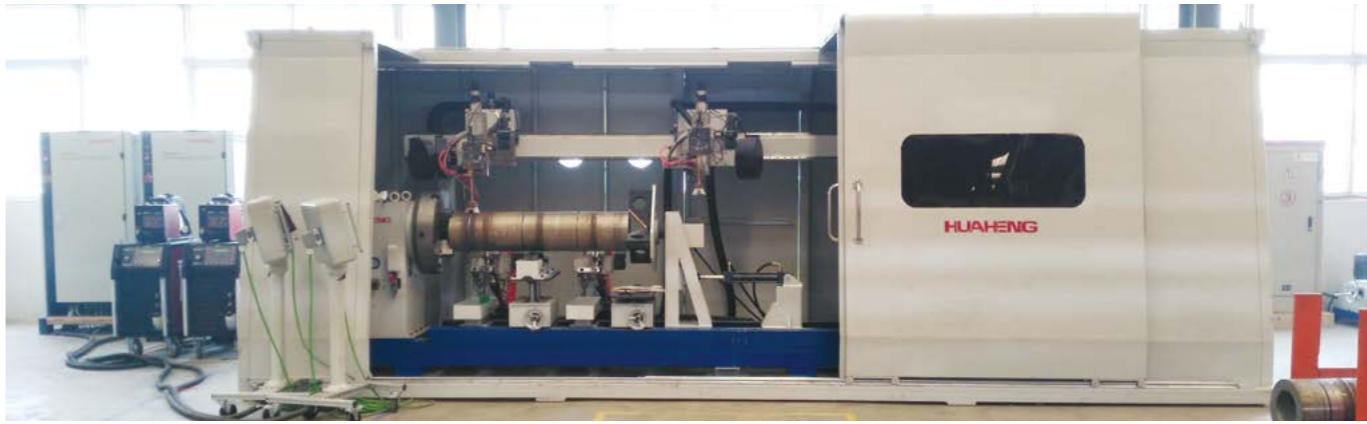
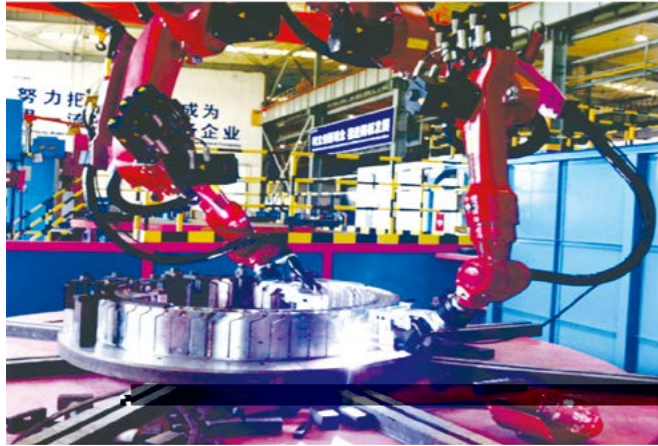






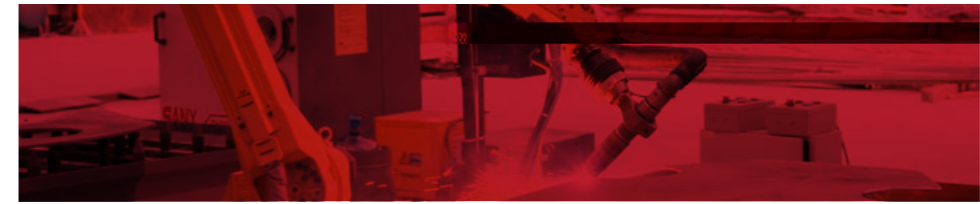
大国重器 华恒智造

Great Power, Made By Huaheng

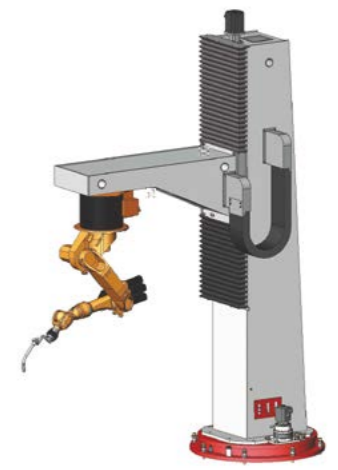




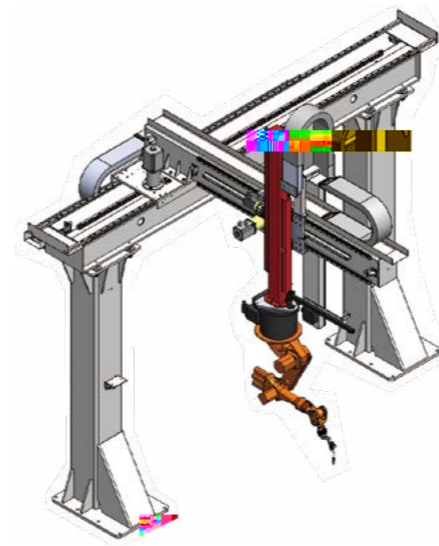
智能仓储物流



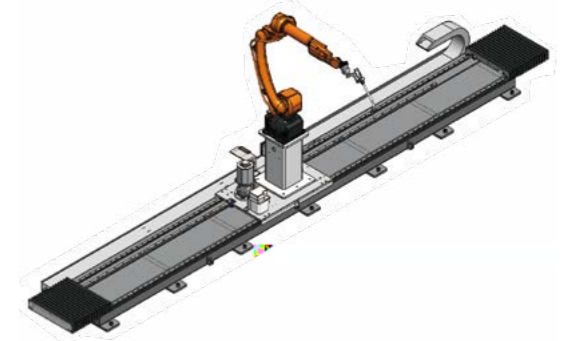
	C	HCS12			
--		4000	5000	6000	7000
--		1500 2000			
		f 0.1_ _			



	C	HCS23			
		f 185,			
		f 1.5act_ i			
--		1500 2000			
		f 0.1_ _			

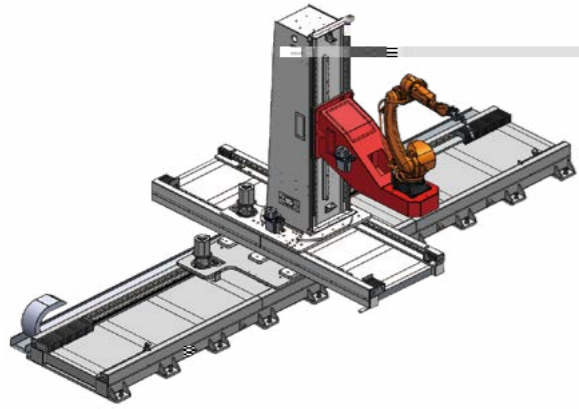


	3	HLVO3-123			
X	--	4000	5000	6000	7000
Y	--	2000			
Z	--	1500 2000			
		f 0.1_ _			

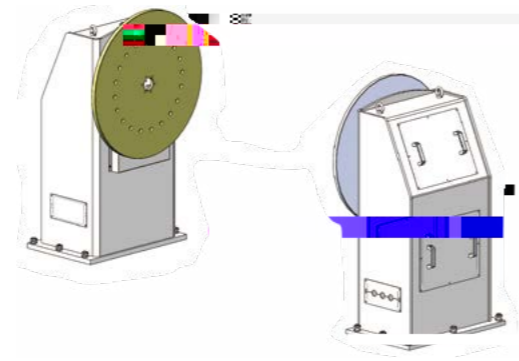


		HLV10				
--		2000	3000	4000	5000	6000
		f 0.1_ _				

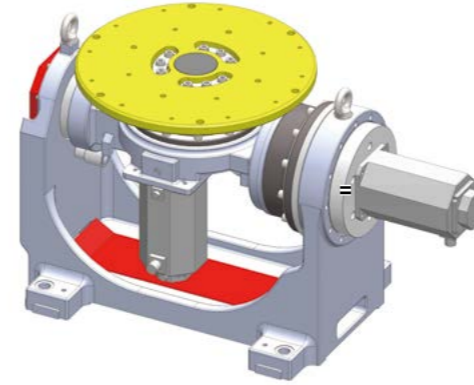
*



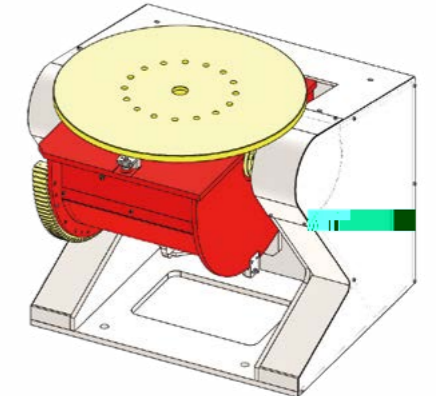
%		: >H%' Ž#\$%			
X	--	4000	5000	6000	7000
Y	--	2000			
Z	--	1500	2000		
		<i>f</i> 0.1_ _			
*					



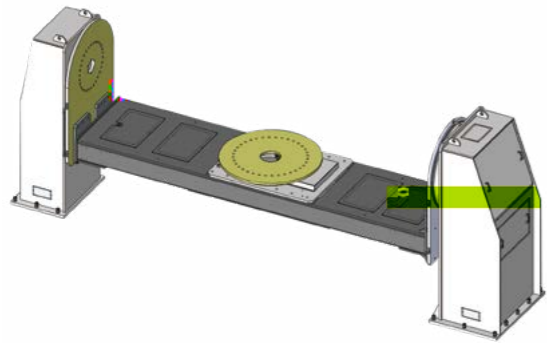
: 6H							
lg							
1000	2500	3500	5000	10000	15000	20000	
<i>f</i> 1.5act_ i`							



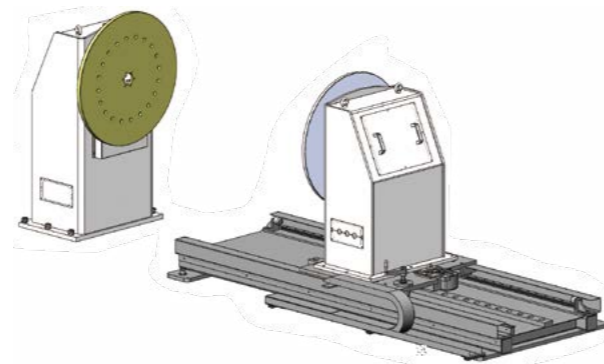
: 6=	
lg	500
<i>f</i> 1.5act_ i`	



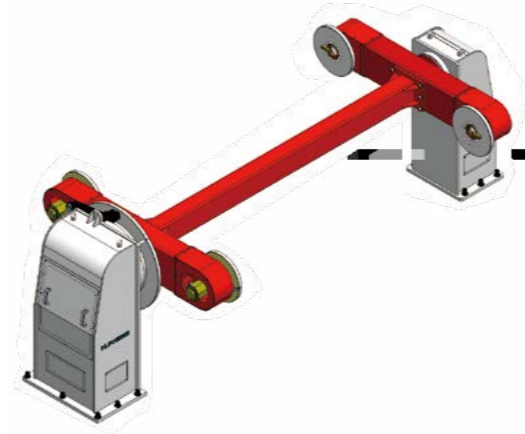
: 6=	
lg	1000 2500
<i>f</i> 1.5act_ i`	



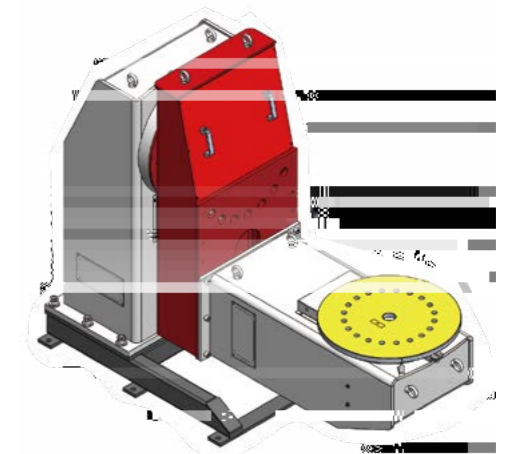
\$: 6HE		
lg	10000	15000	20000	
<i>f</i> 1.5act_ i`				



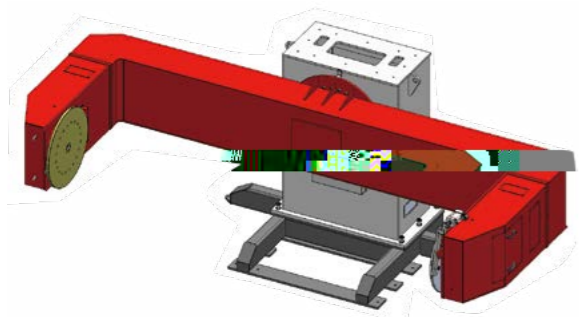
: 6Hh							
lg							
1000	2500	3500	5000	10000	15000	20000	
<i>f</i> 1.5act_ i`							



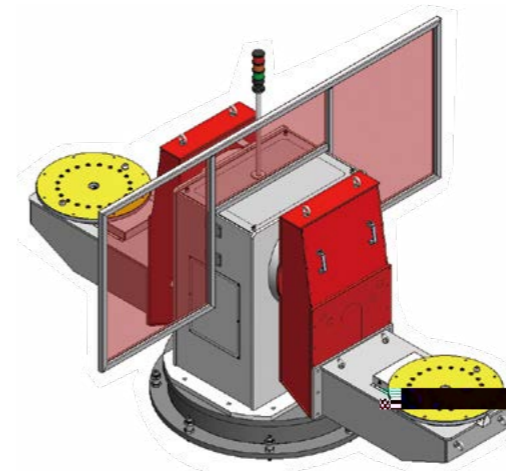
%	
lg	1000
<i>f</i> 1.5act_ i`	



>		: 6E				
lg						
1000	2500	3500	5000	10000		
<i>f</i> 1.5act_ i`						

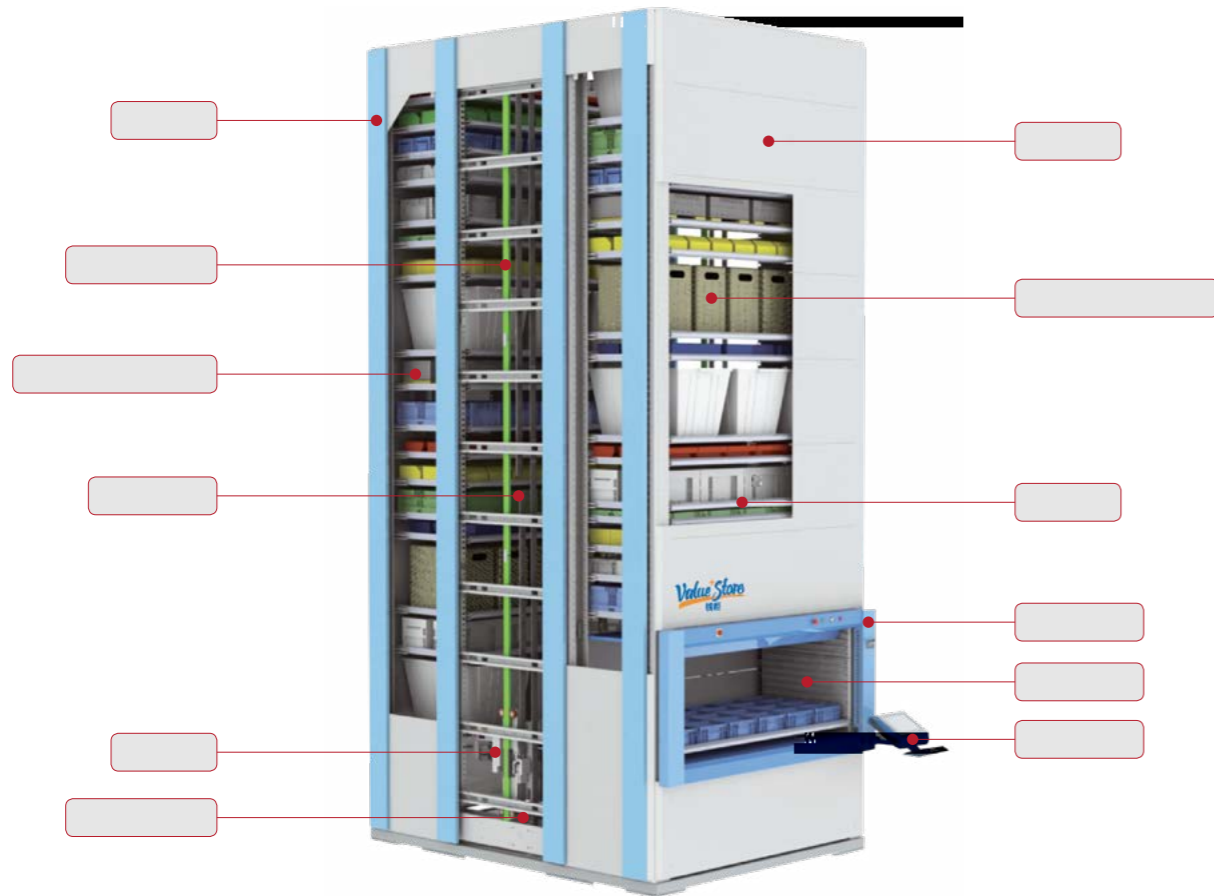
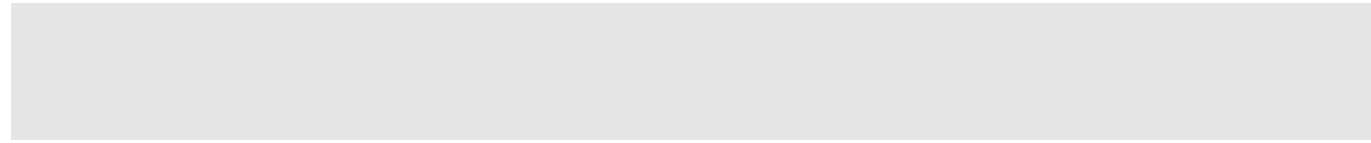


5		: 65		
lg				
1000	2500	3500	5000	10000
<i>f</i> 1.5act_ i`				

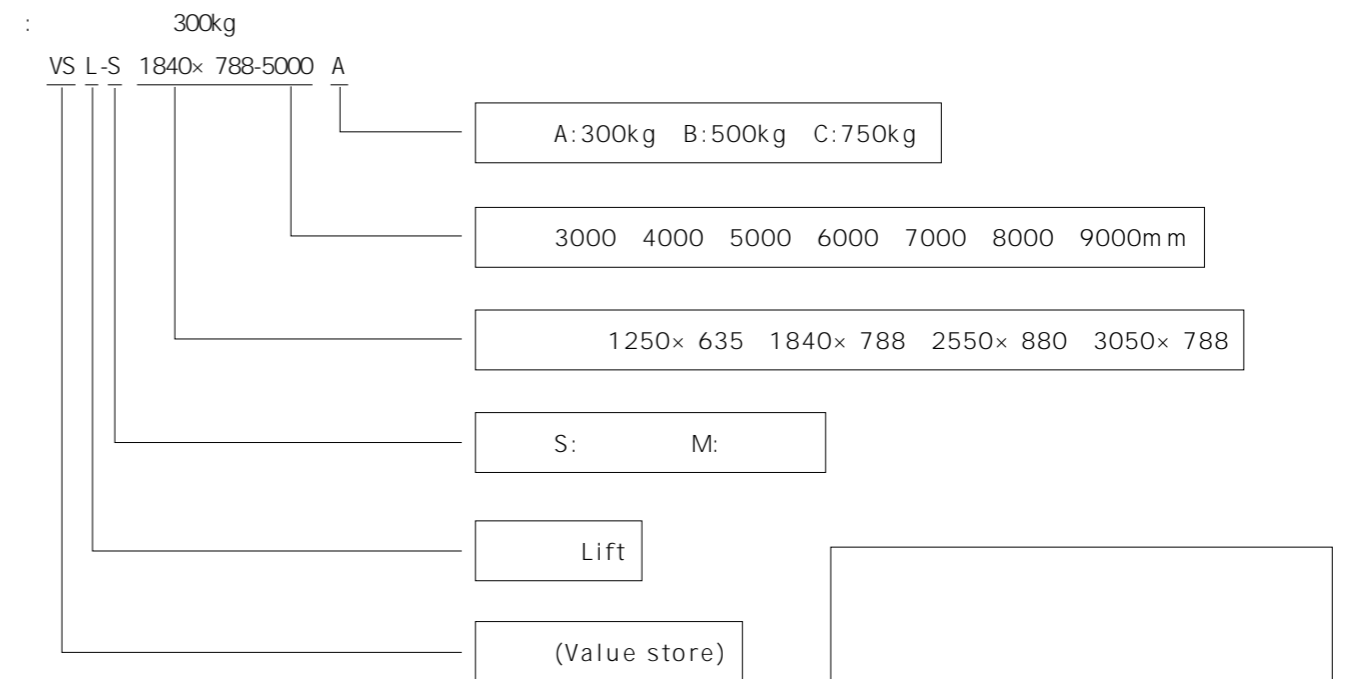


' >	
lg	1000
<i>f</i> 1.5act_ i`	

INTELLIGENT STORAGE



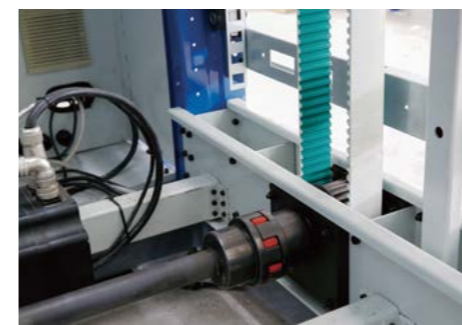
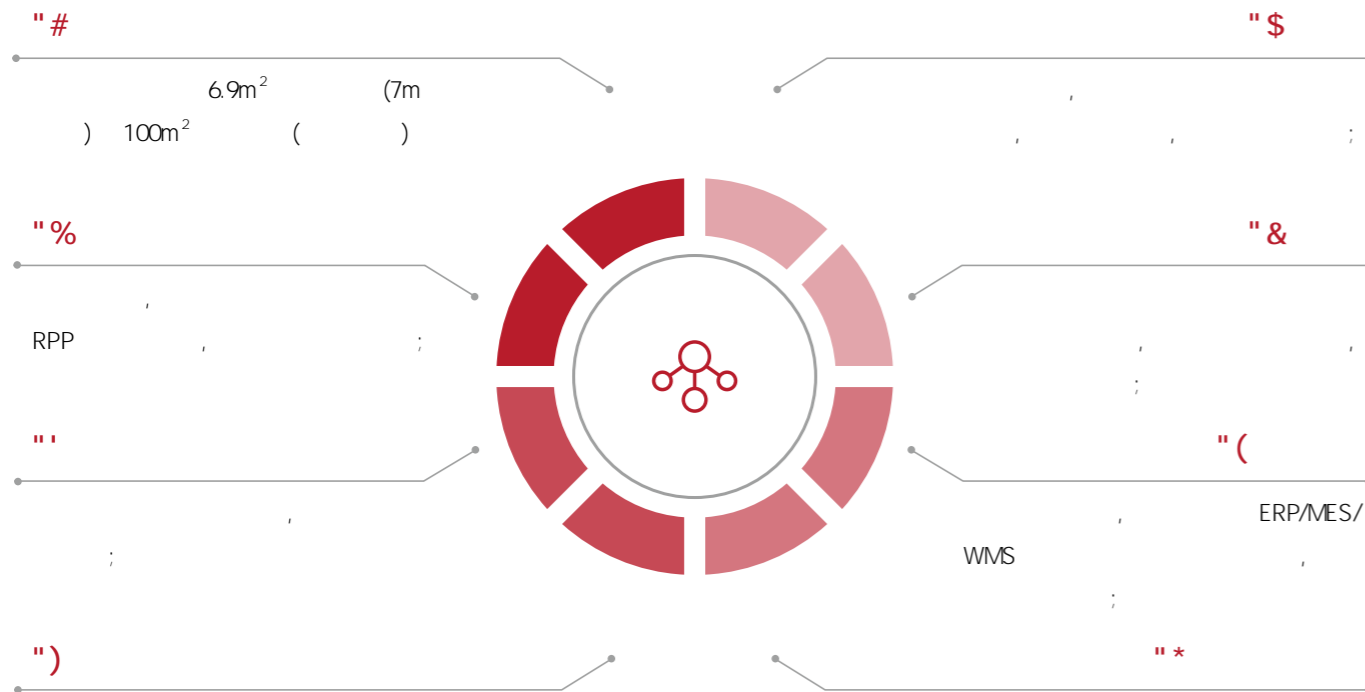
	(mm)	(mm)	(mm)	(mm)	(mm)	高 (mm)	(kg)		
VSL-S1250× 635-3000A	1250	635	50	1700	2500	3000-15000 +50	A 300 B 500 C 750		S: M:
VSL-M1250× 635-3000A	1250	635	50	1700	2500				
VSL-S1840× 788-5000A	1840	788	50	2290	2990				
VSL -M1840× 788-5000A	1840	788	50	2290	2990				
VSL -S2550× 880-5000A	2550	880	50	3000	3250				
VSL -M2550× 880-5000A	2550	880	50	3000	3250				
VSL -S3050× 788-5000A	3050	788	50	3500	2990				
VSL -M3050× 788-5000A	3050	788	50	3500	2990				



【技术参数】

	0.5m/s	0.7m/s
	0.3m/s	0.45m/s
	50mm	
	880mm	
	600mm	
	380V± 10%	50HZ± 2%
	0	40
	95%	
	70dB	
*		

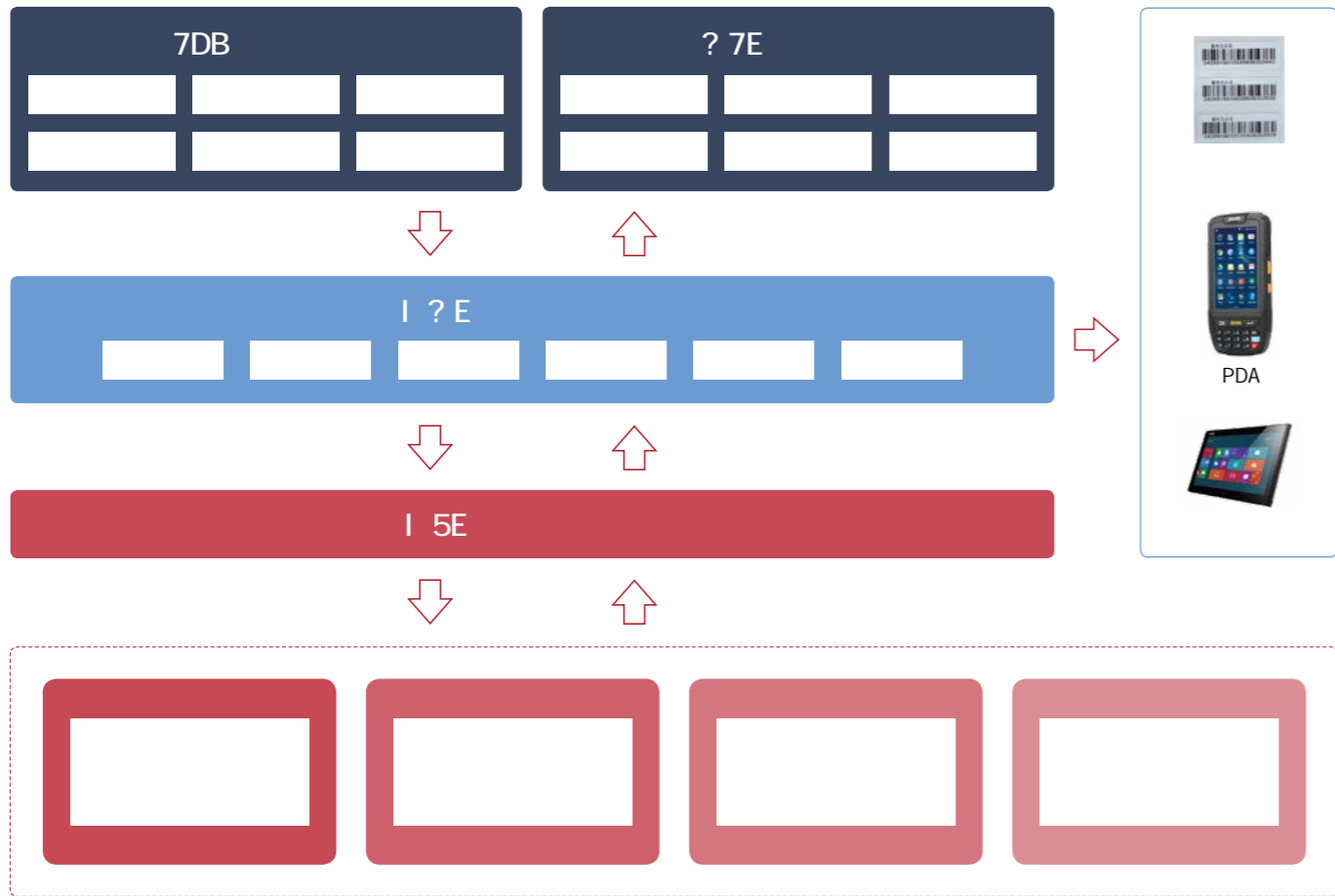
【特点】



03

WMS

RFID



04

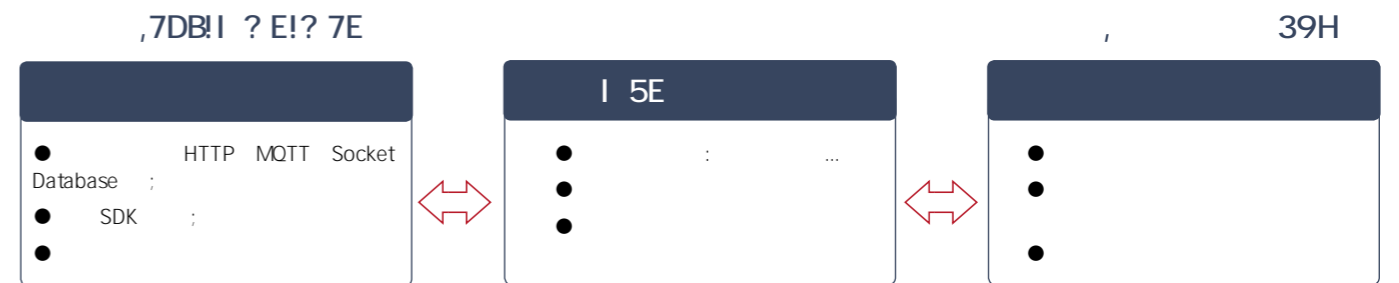
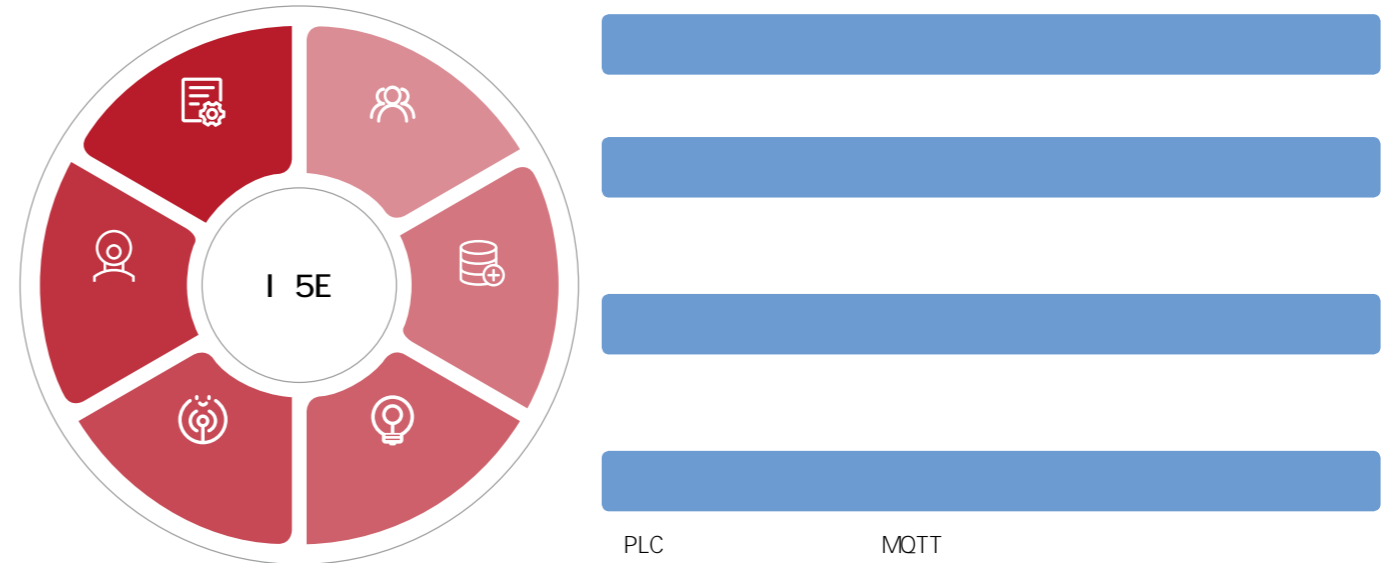
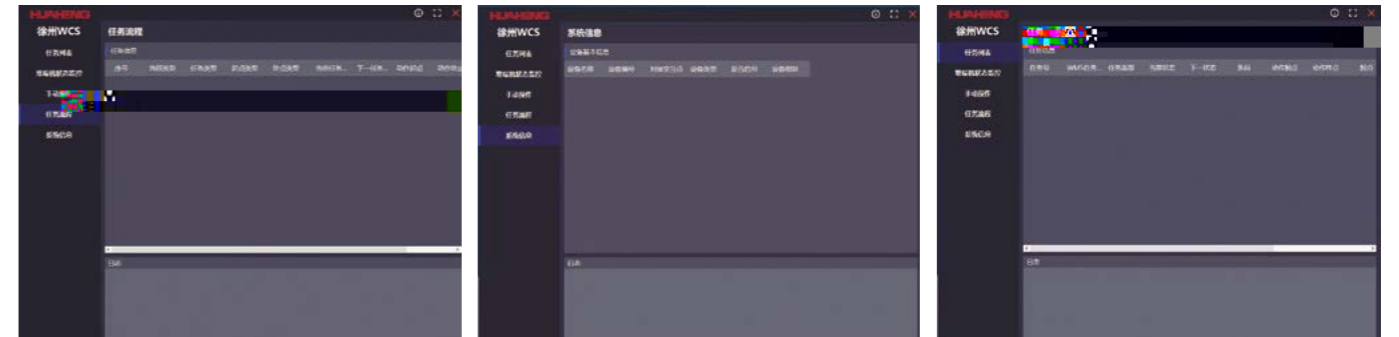
WCS

RGV AGV

C/S +B/S

WMS

WCS



OUR



01

requesting research. Data analysis, program design, system integration.



02

Software development, equipment manufacturing, electronic control design.



03

翻若夔夔。娥侏叶。踟蹰媿媿。
Project planning, equipment installation, system commissioning.



04

System trial operation, system acceptance, user training.



05

System maintenance, spare parts supply, regular operation.